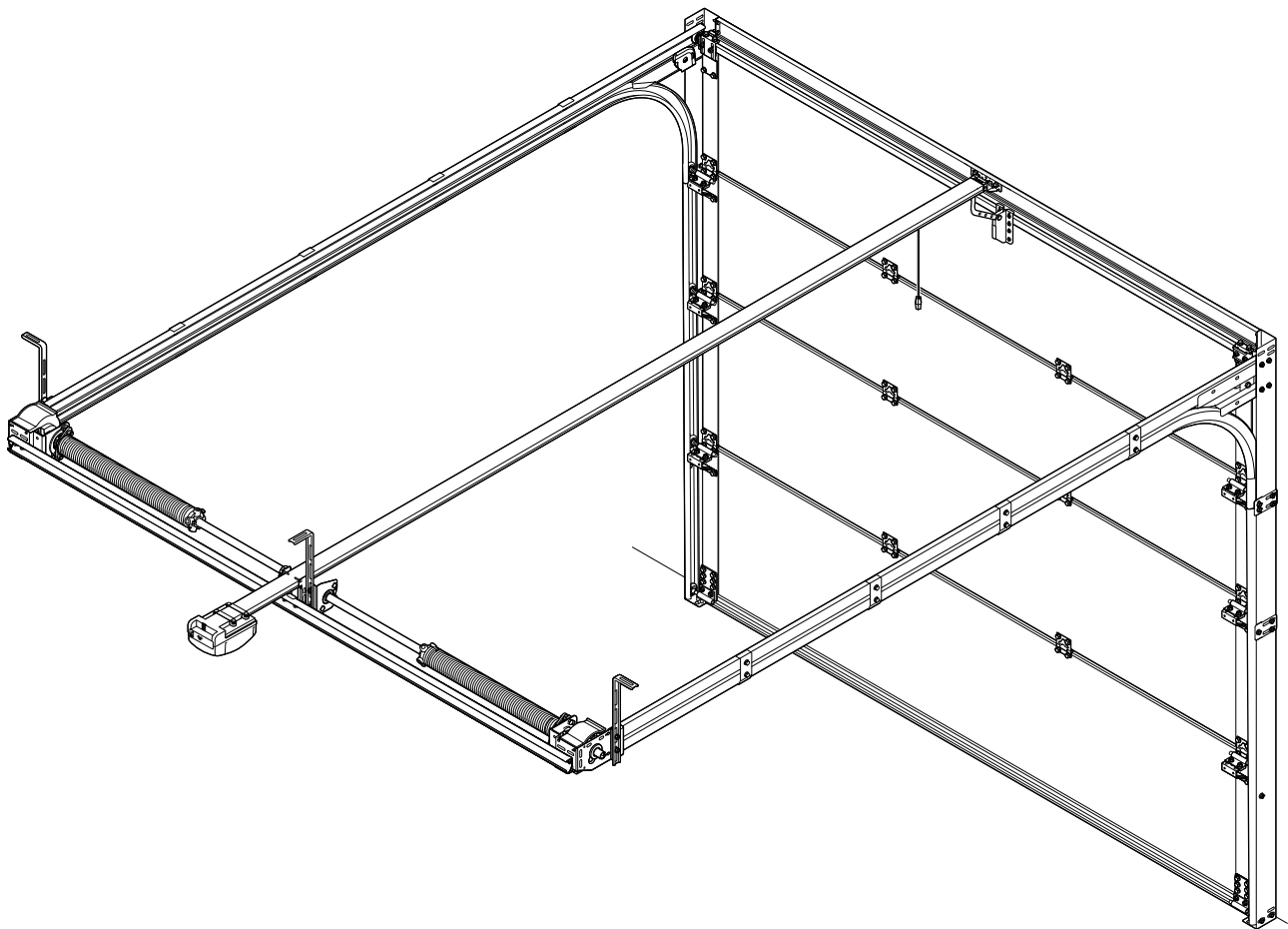
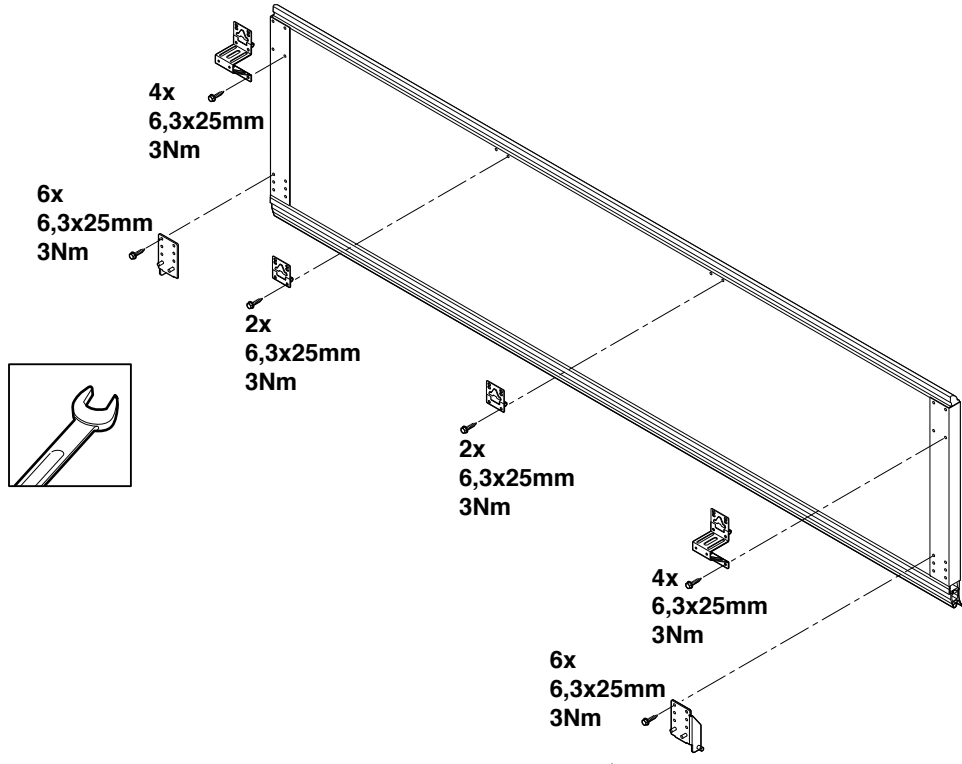
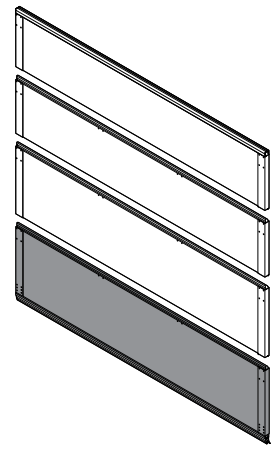
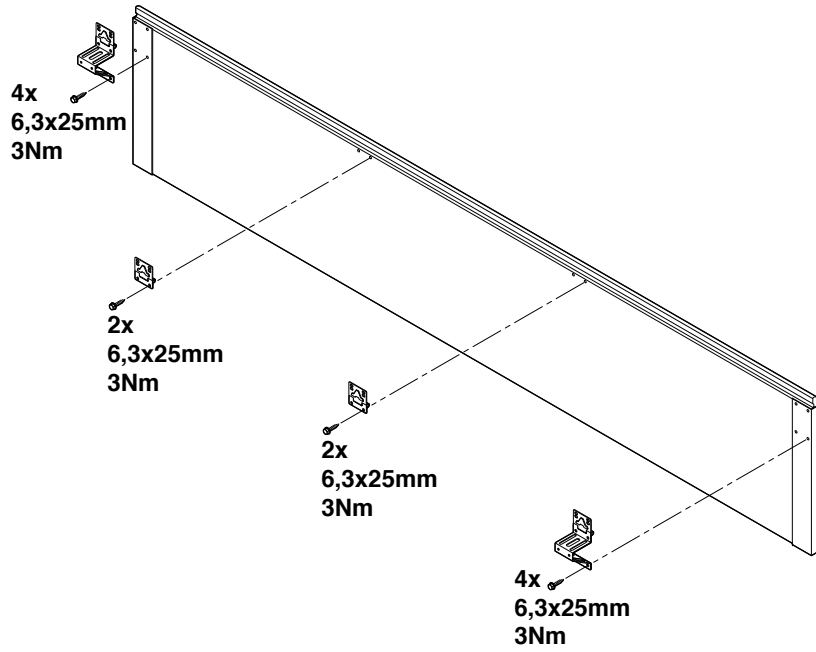
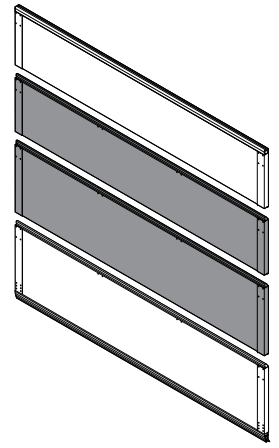
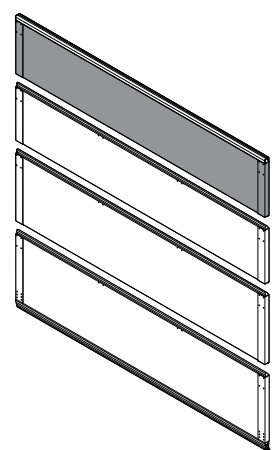
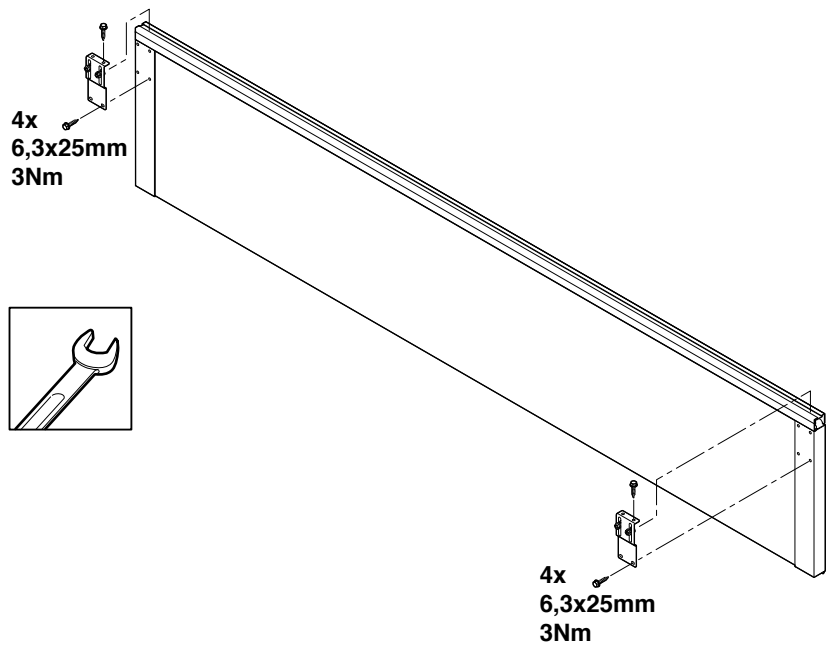


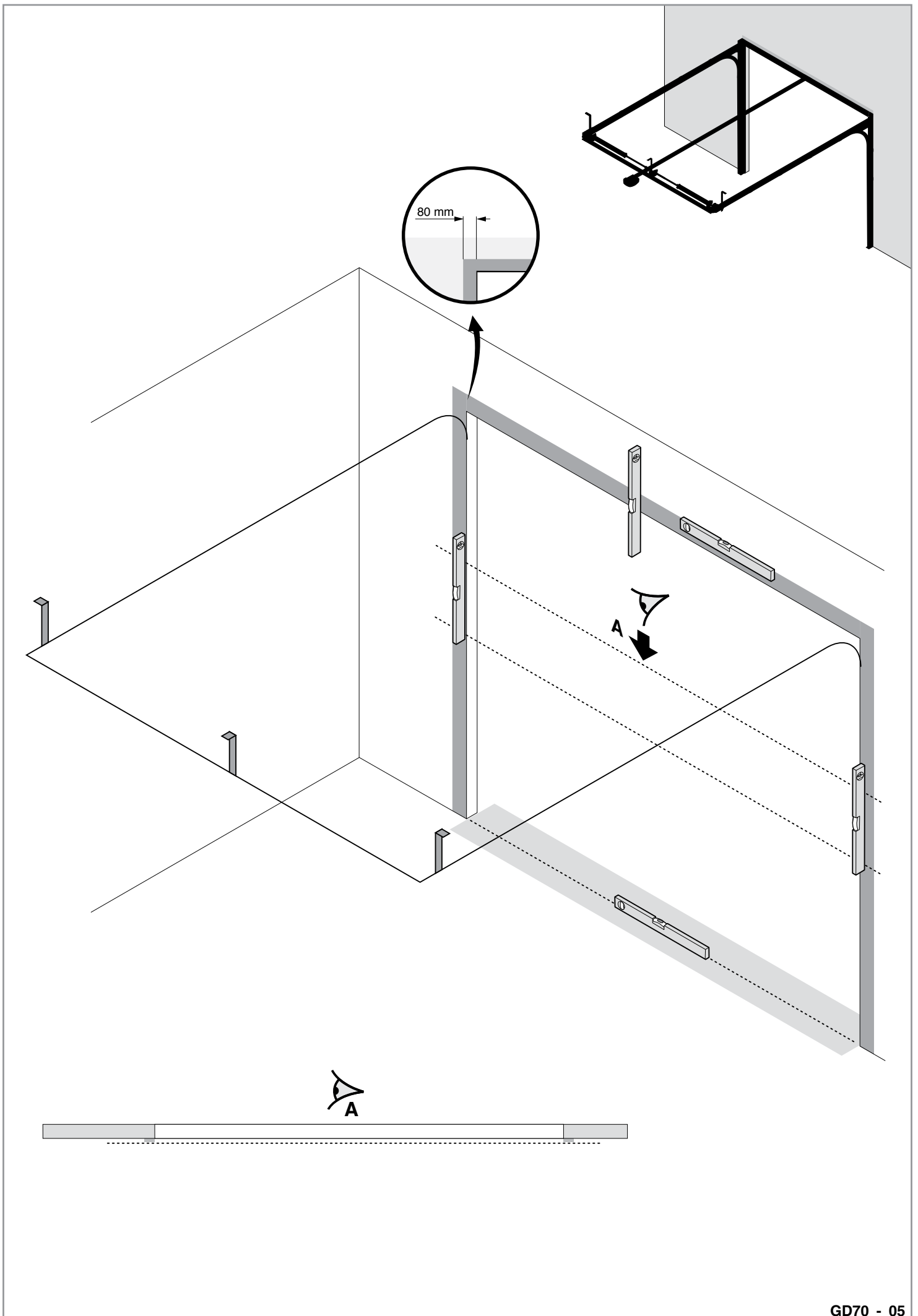
# GD 70

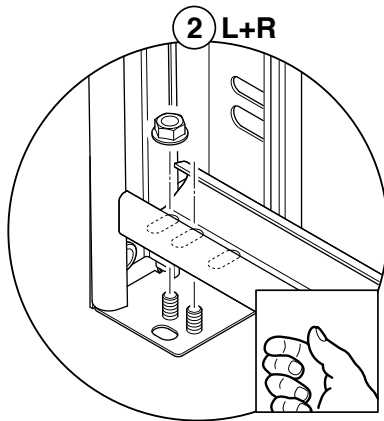
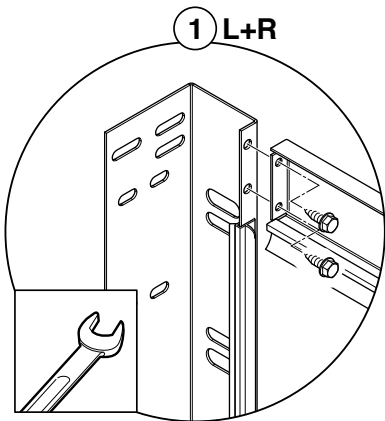
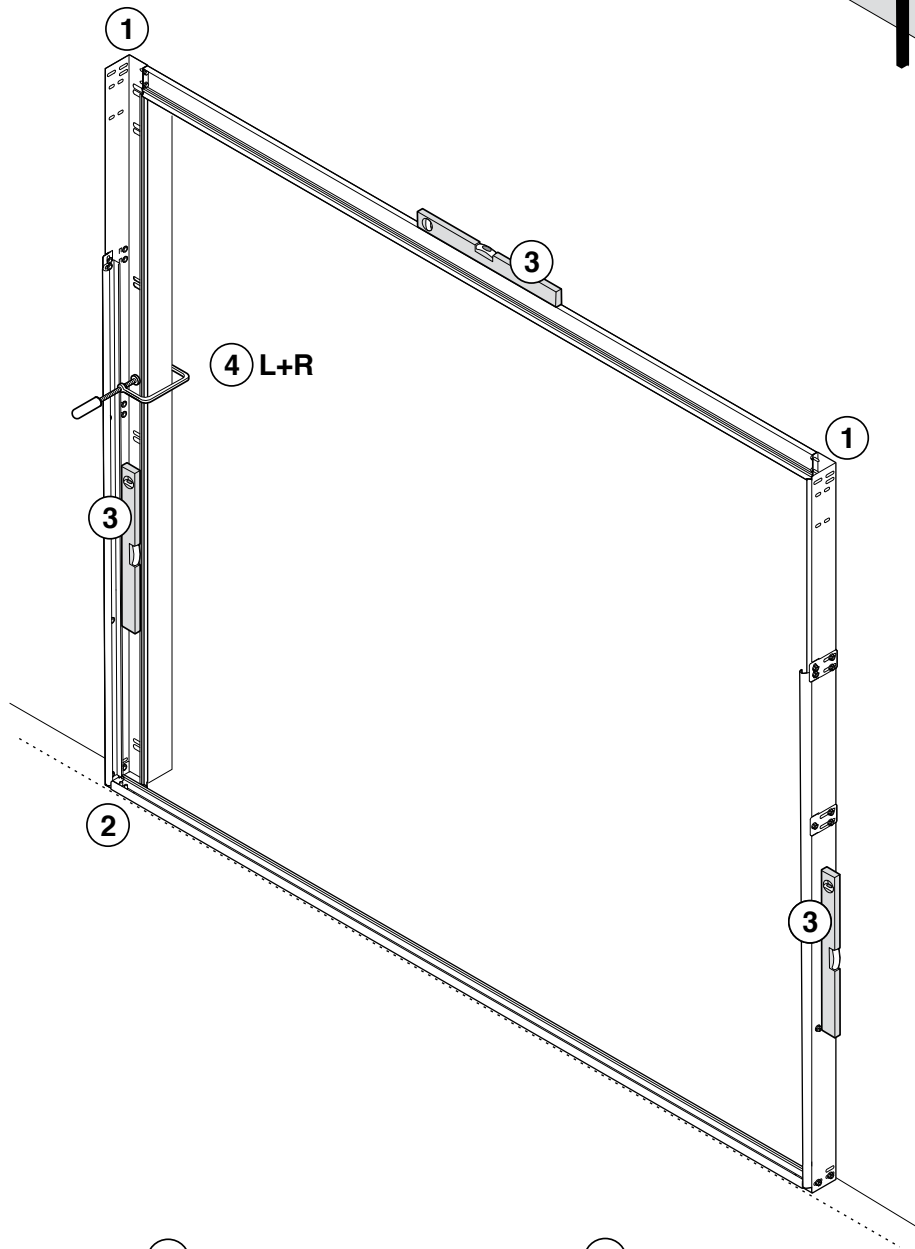
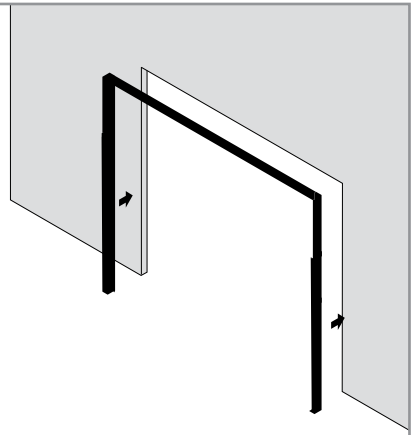


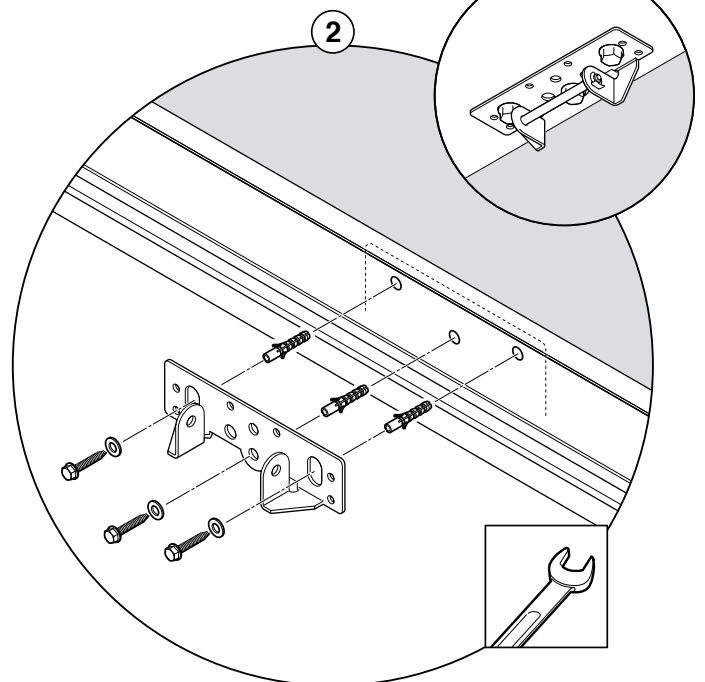
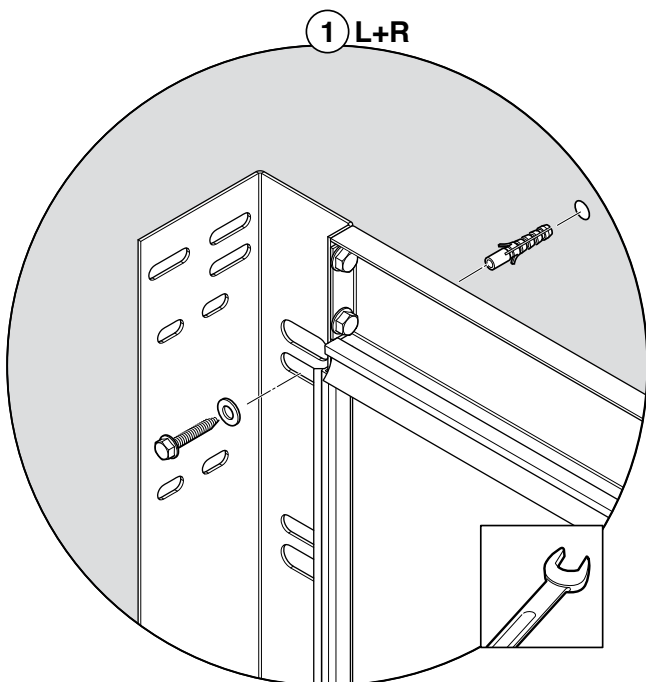
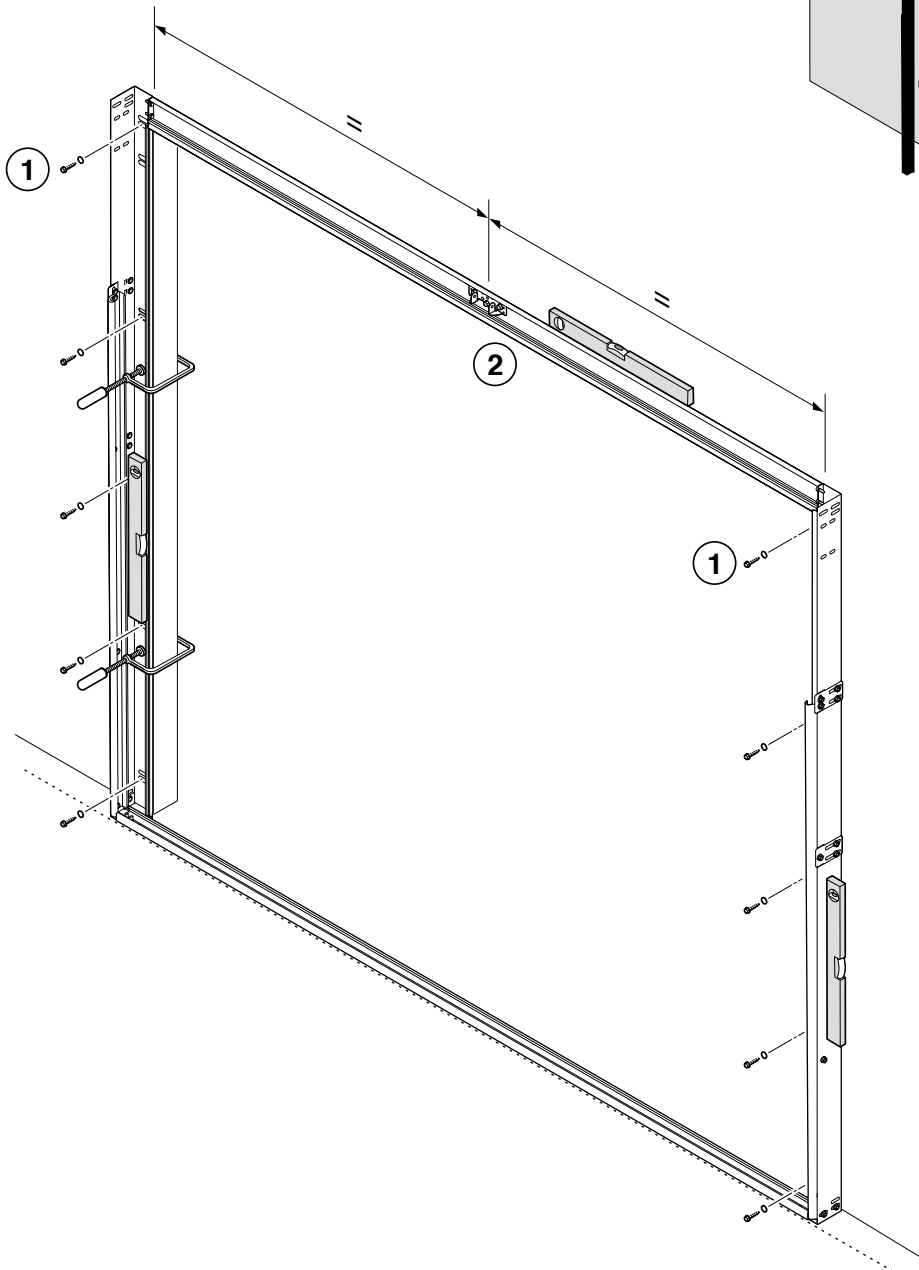


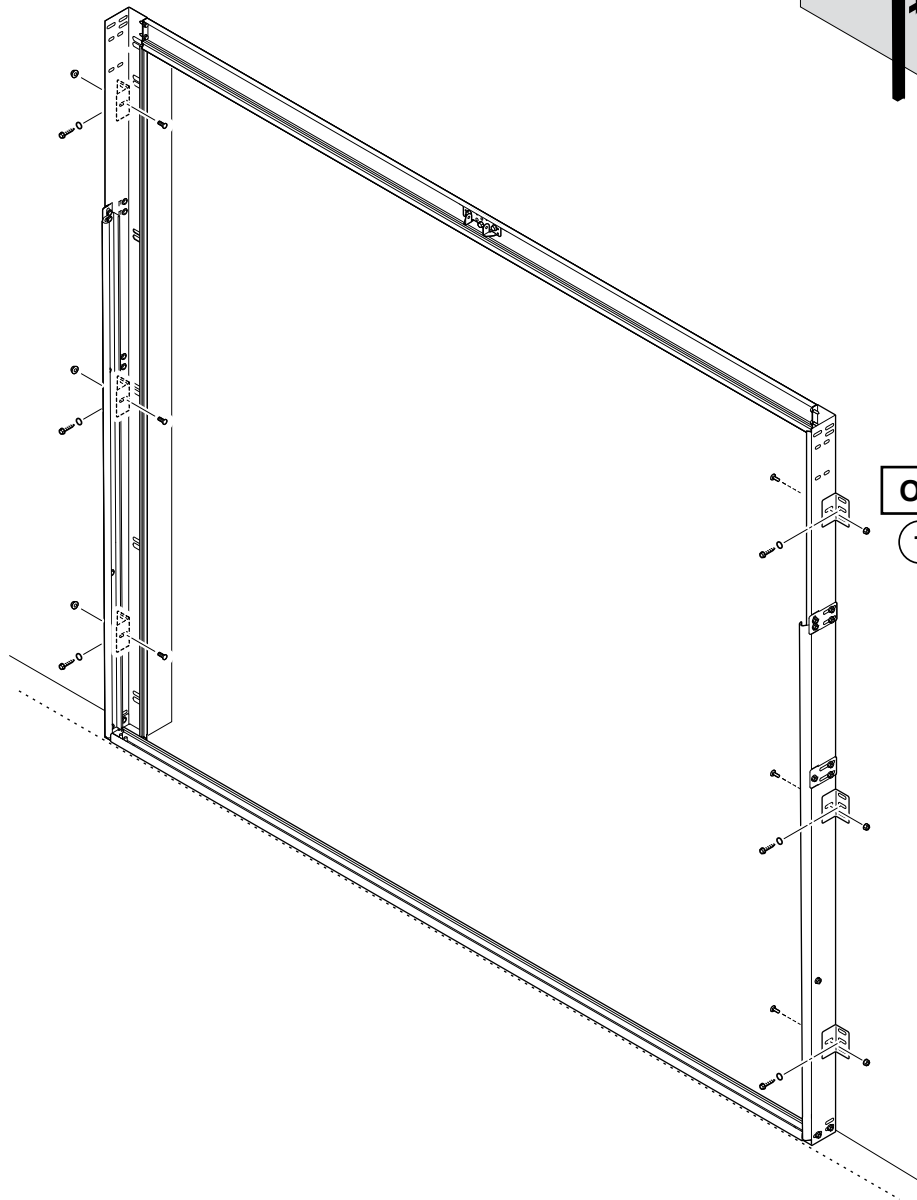




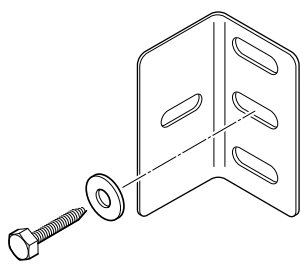
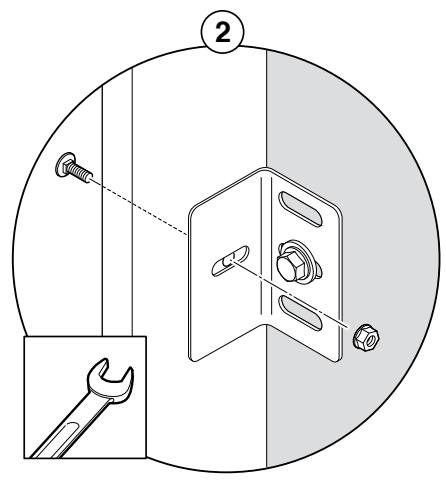
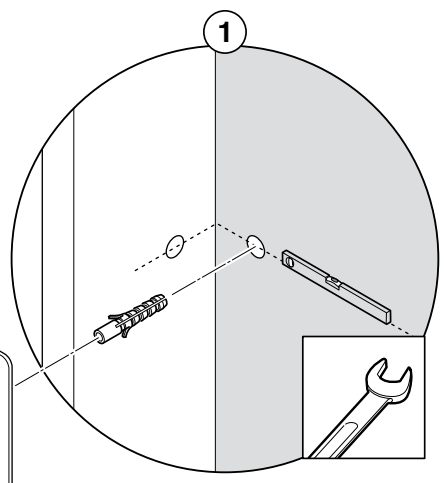




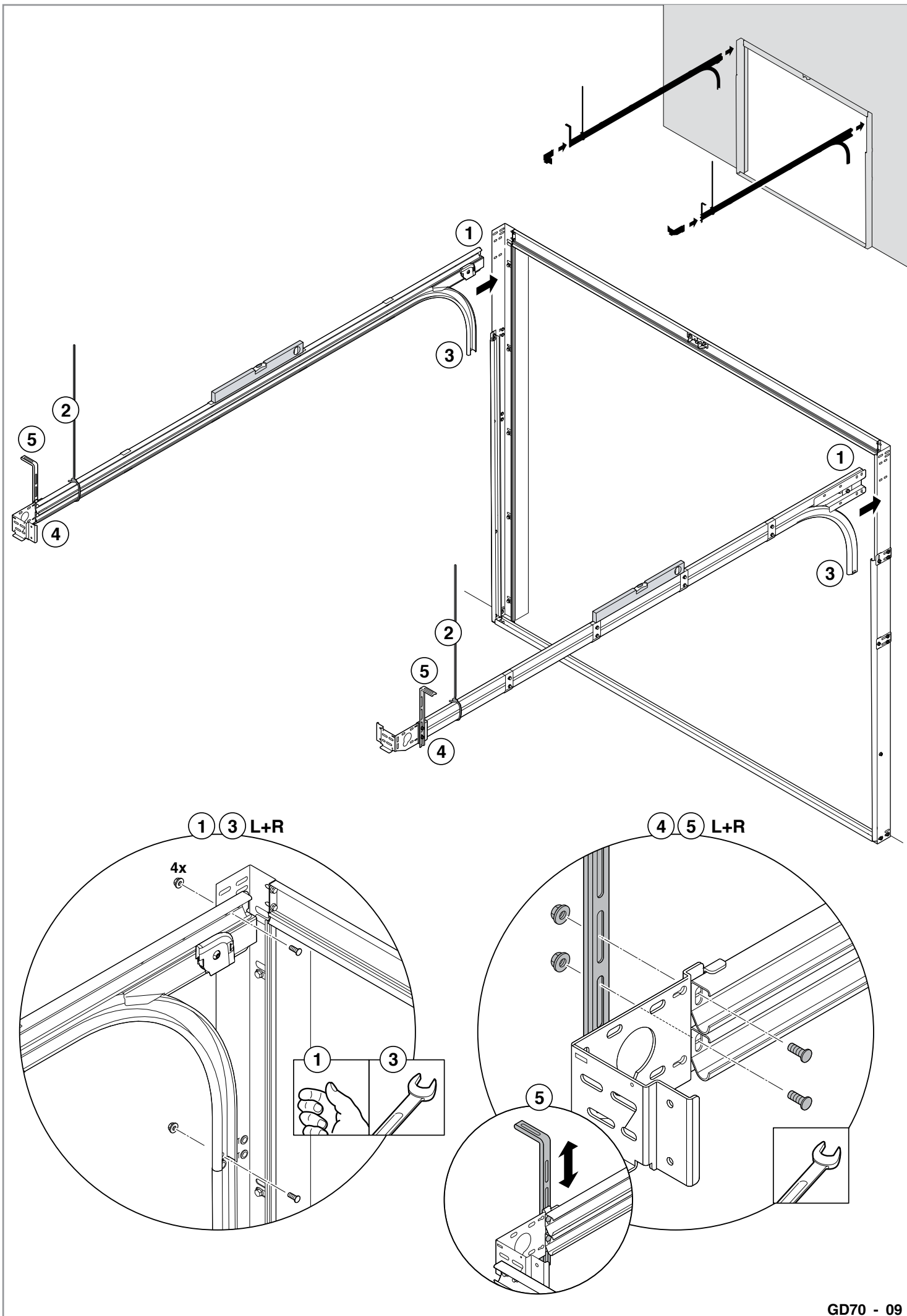


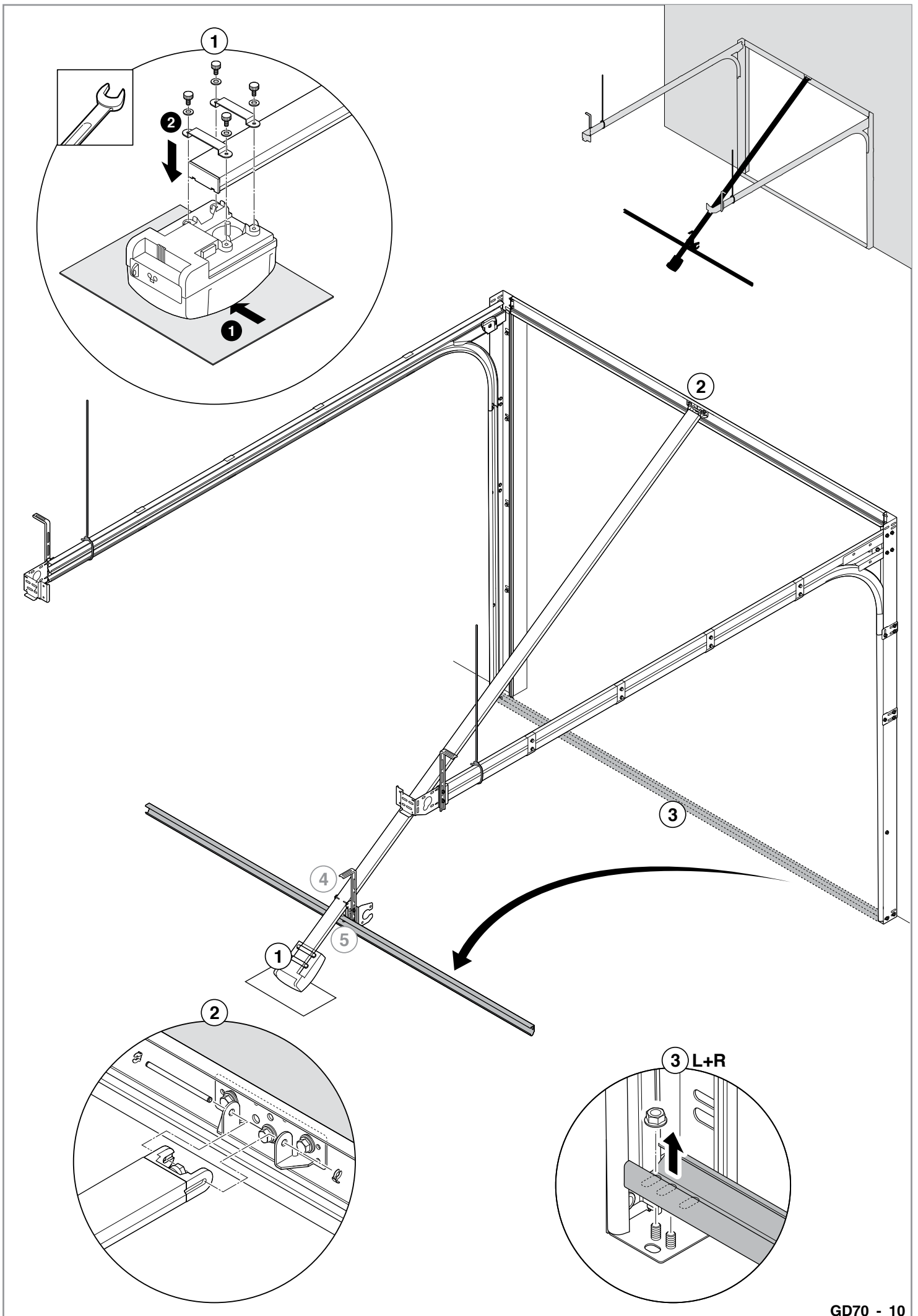


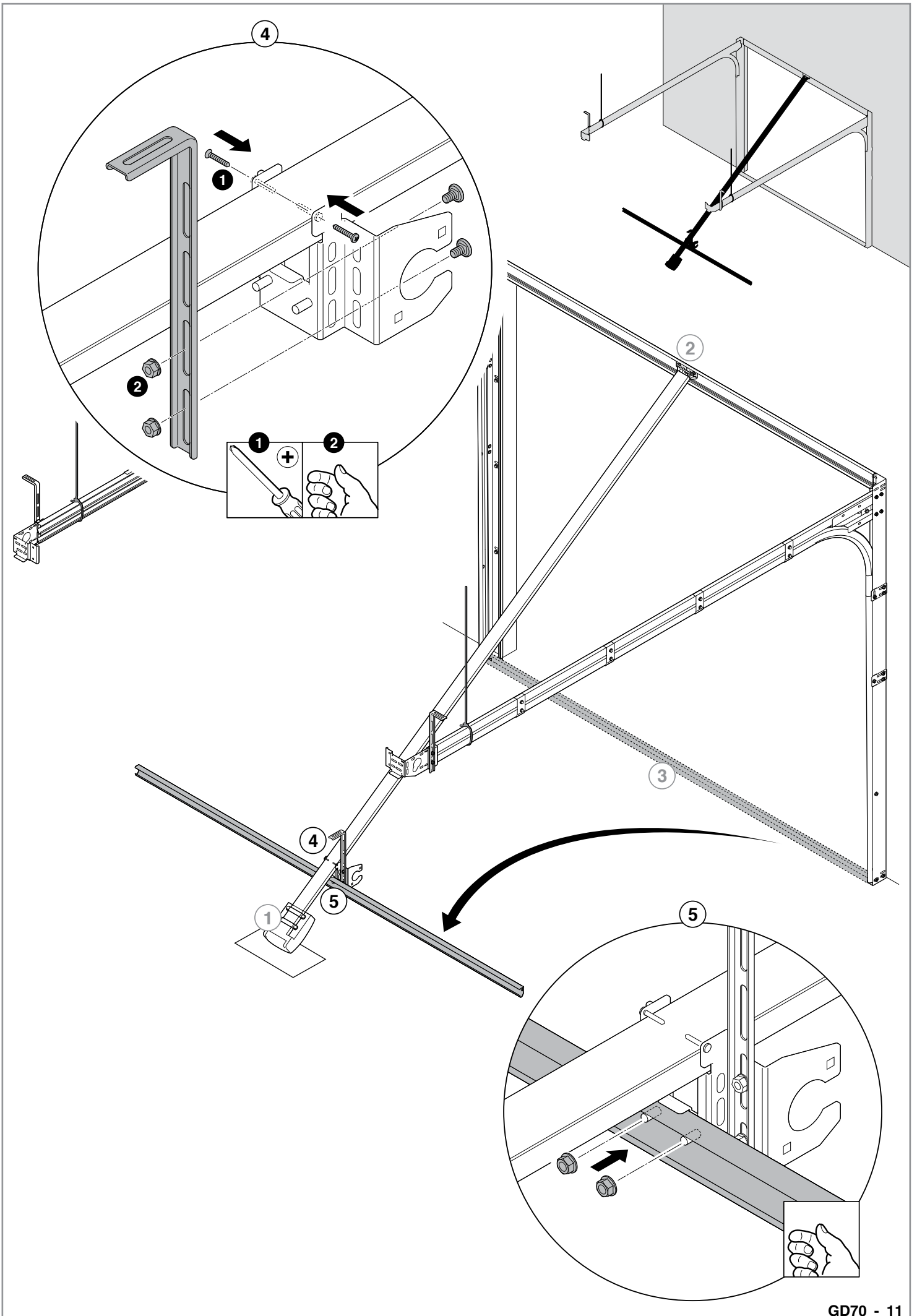
Option  
1 2

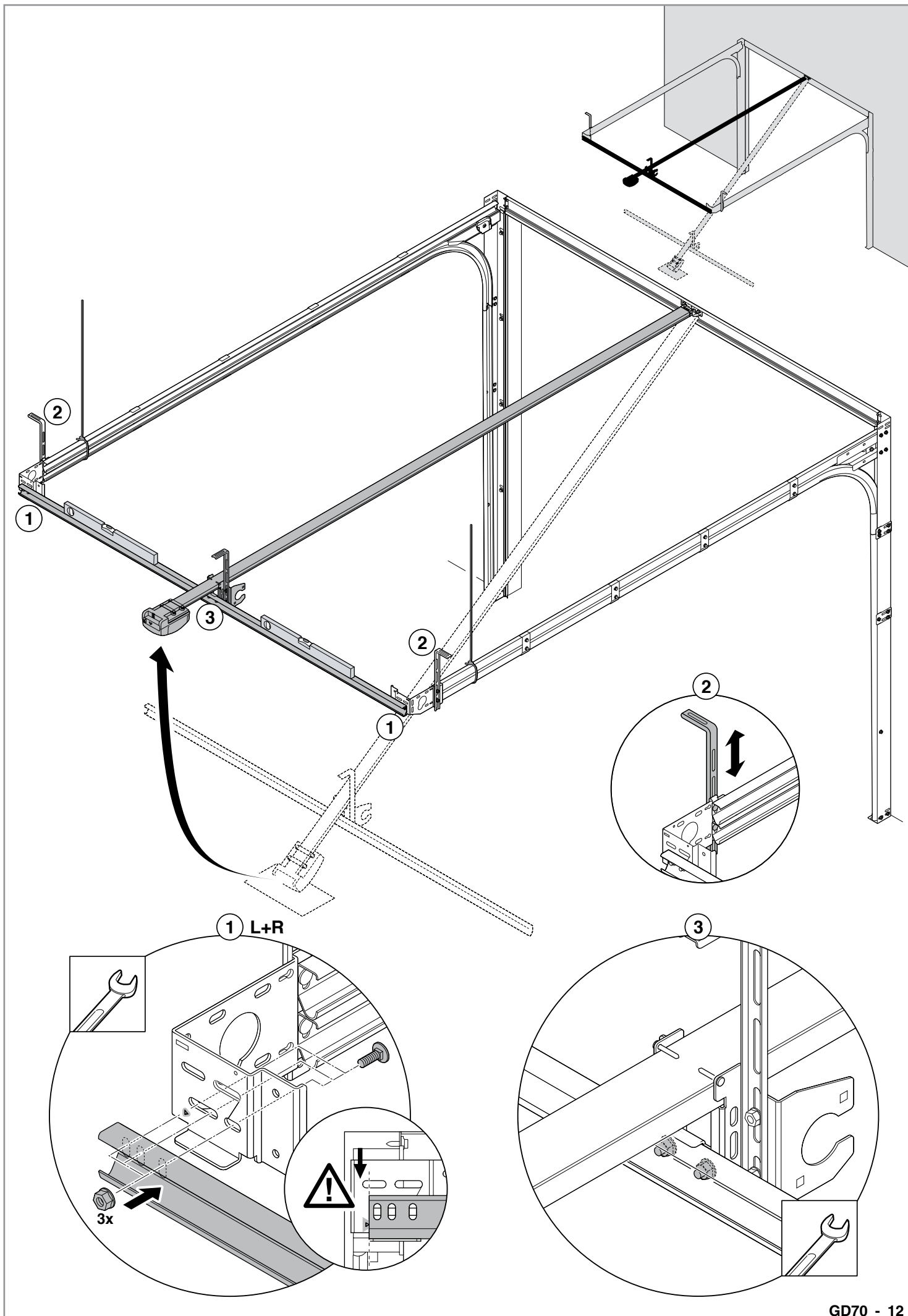


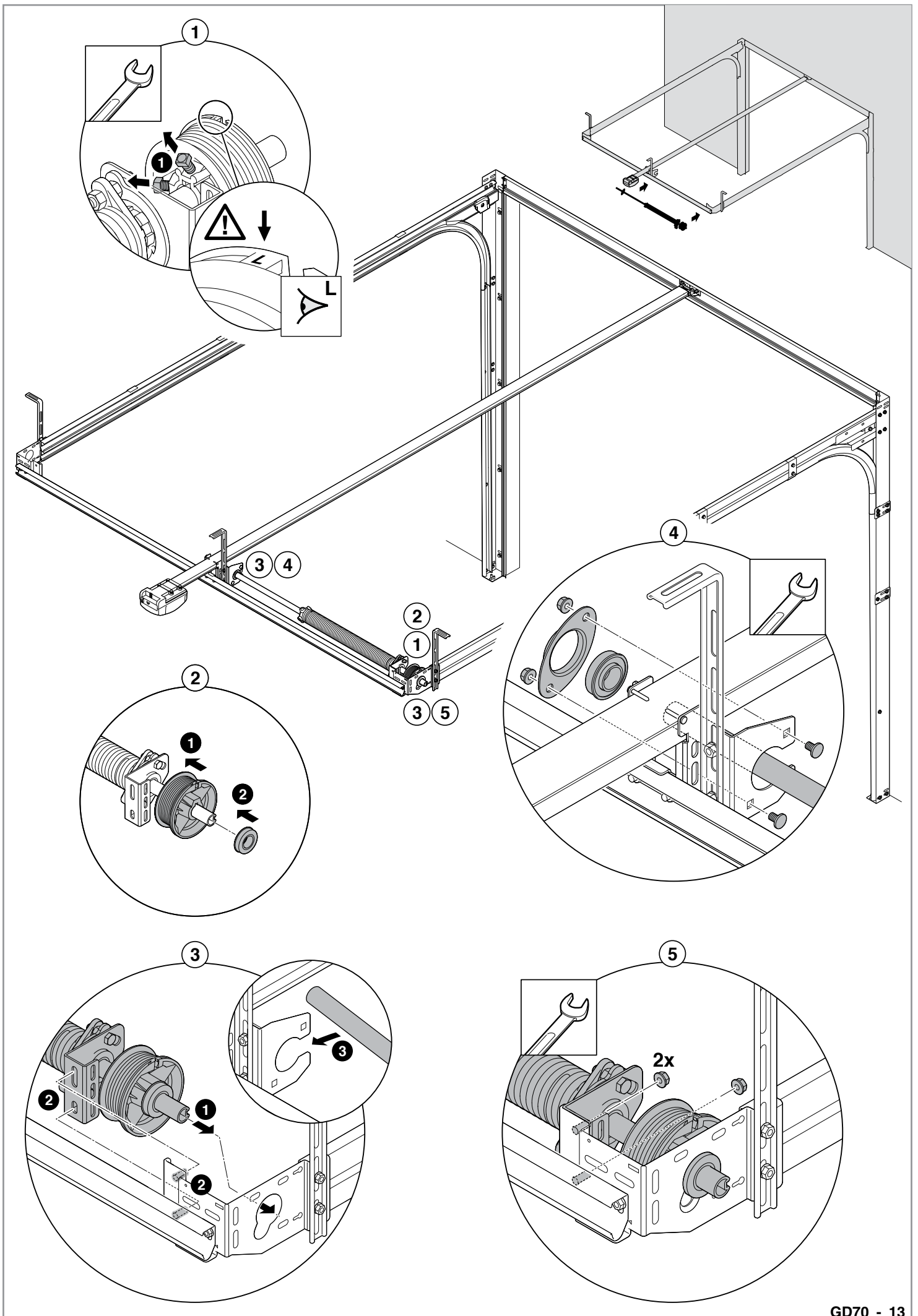


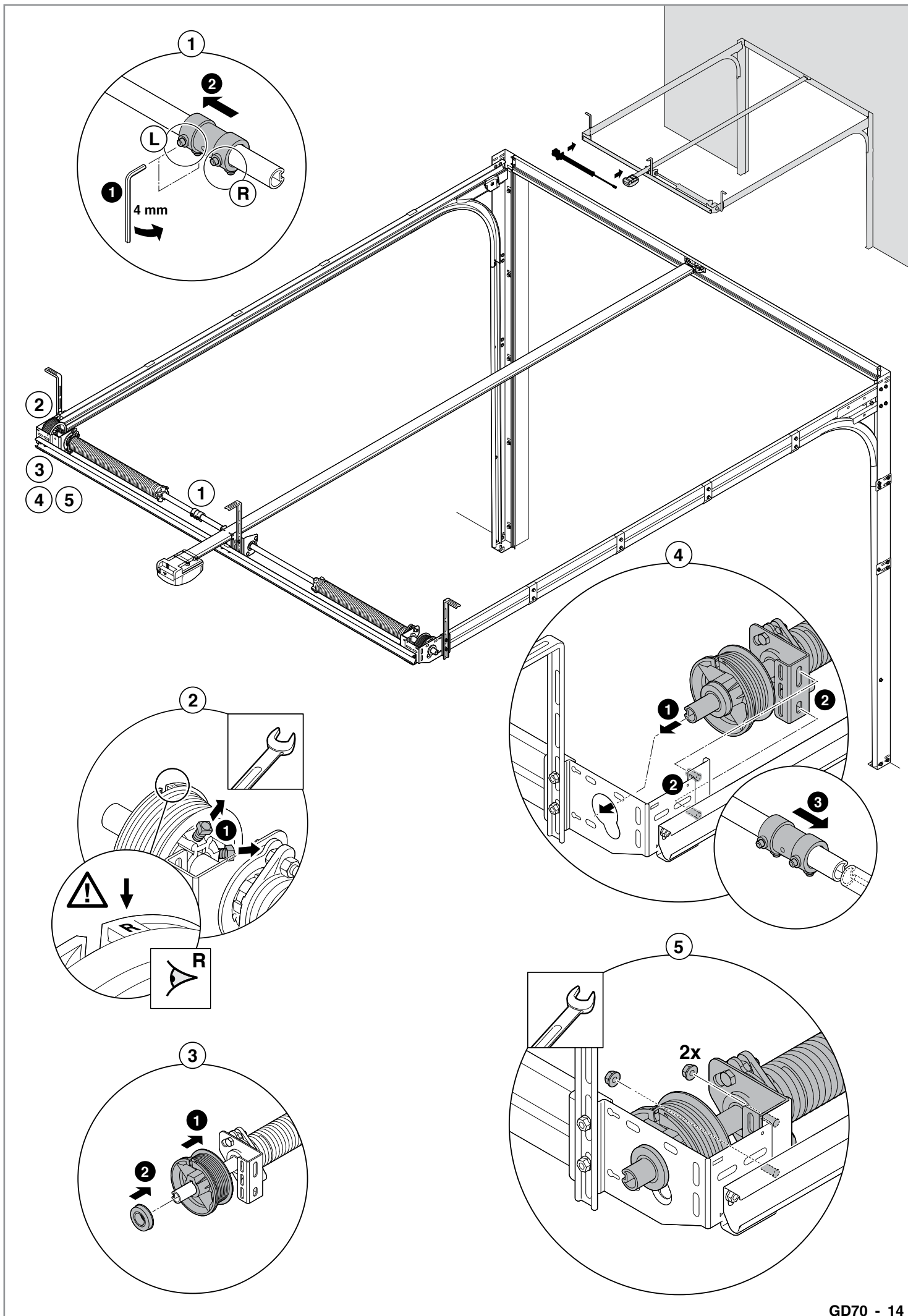


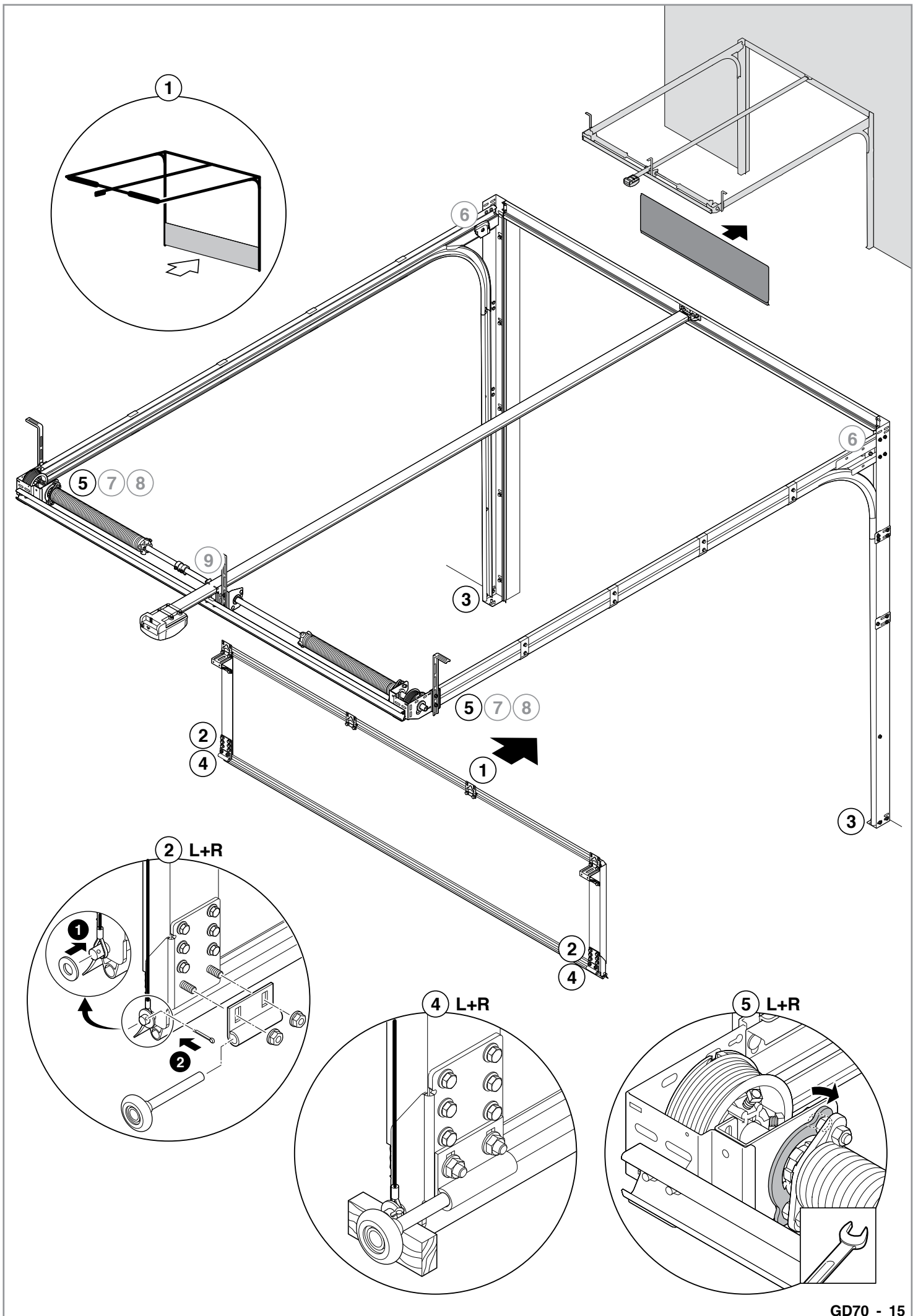


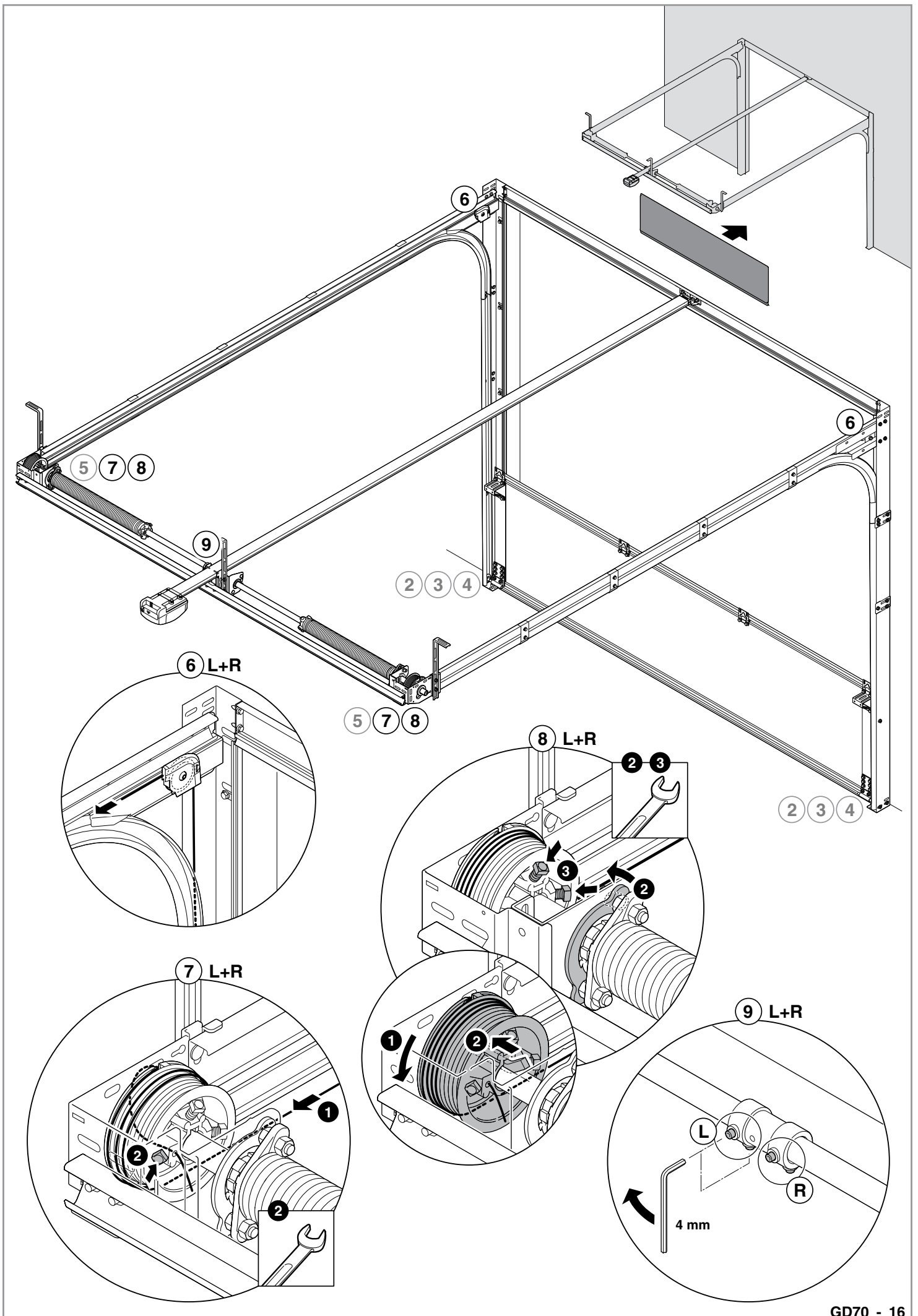




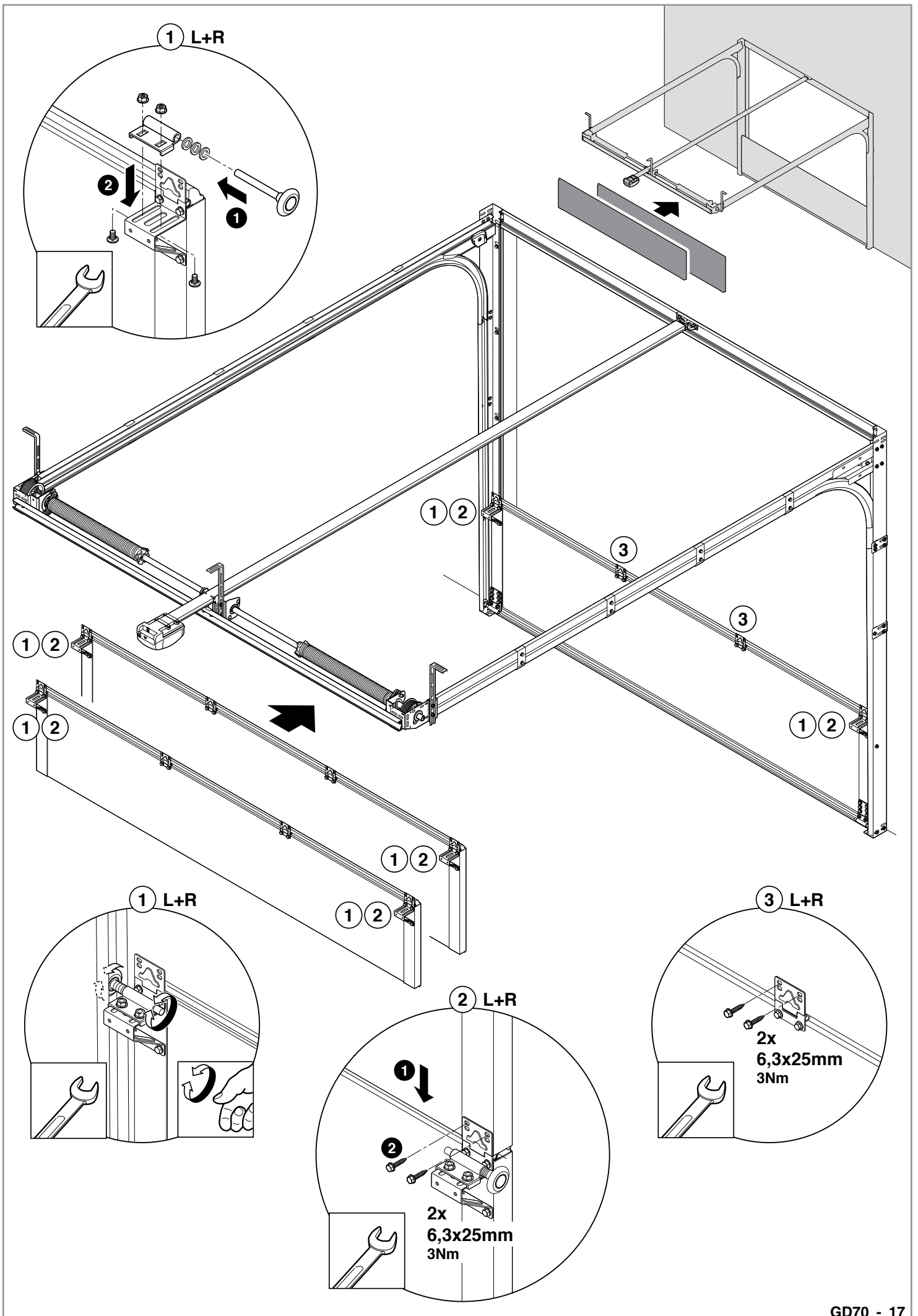


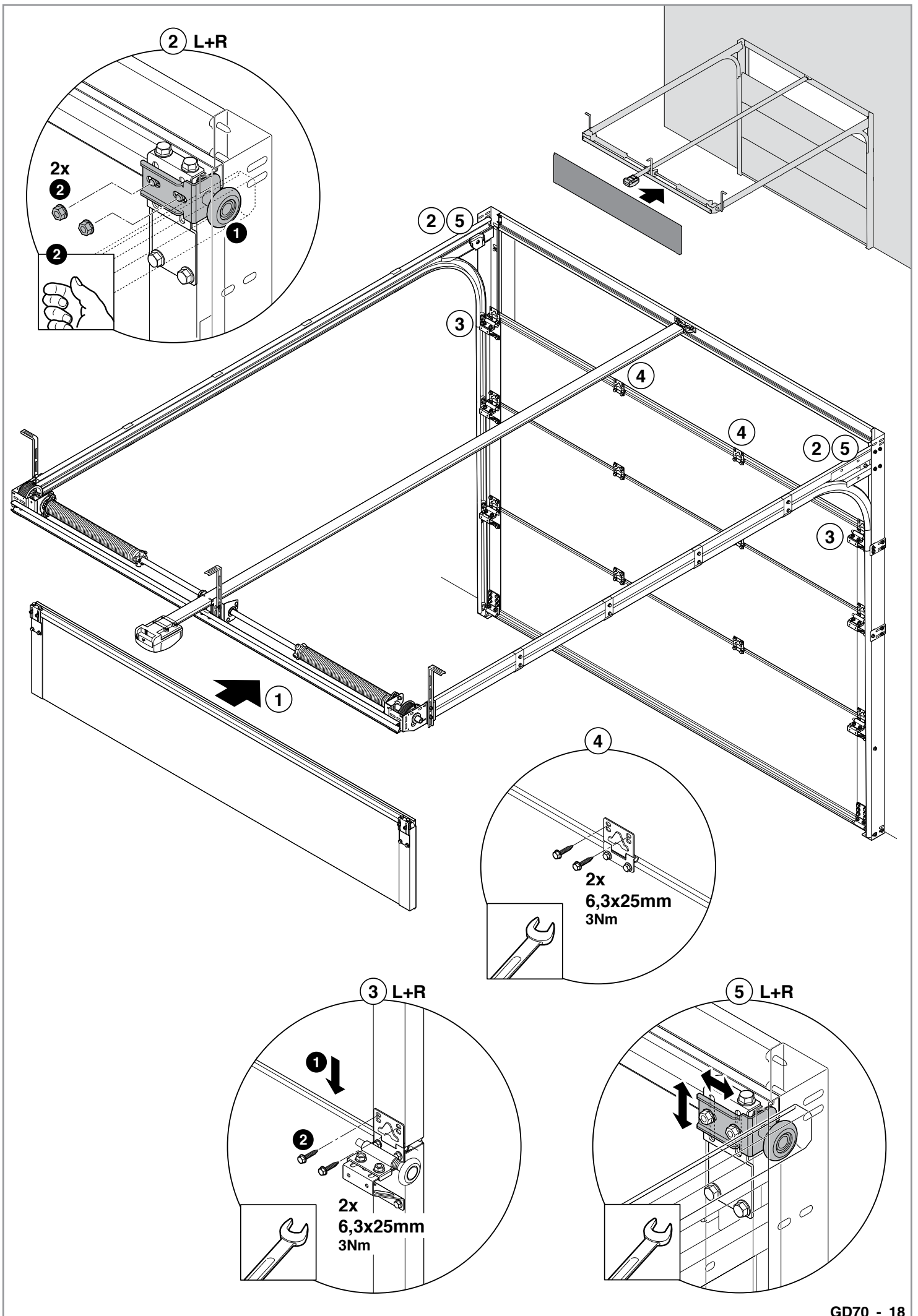


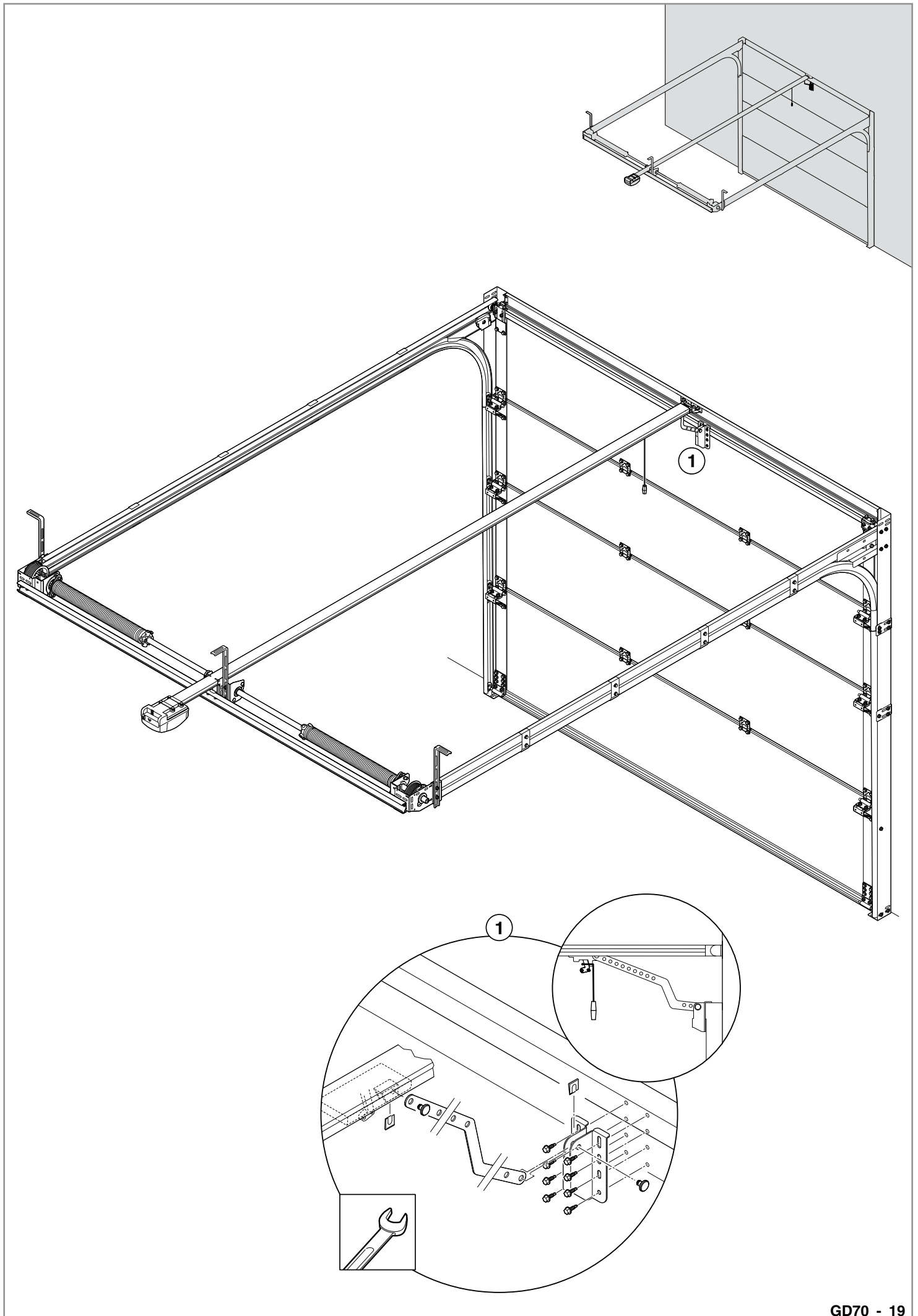


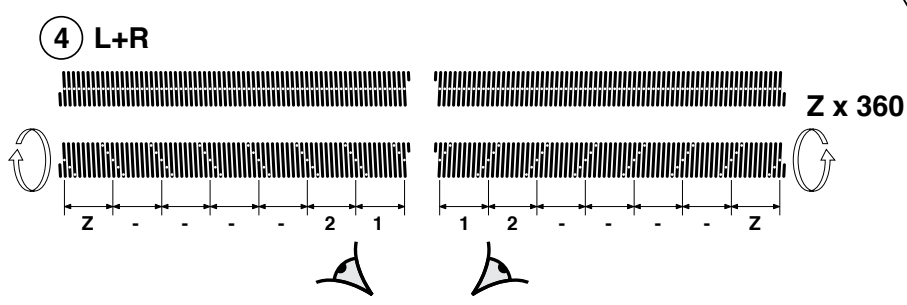
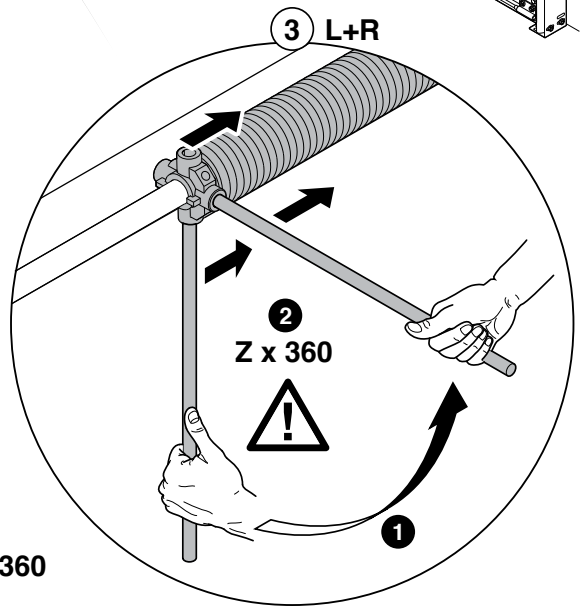
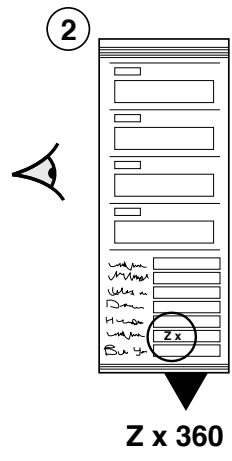
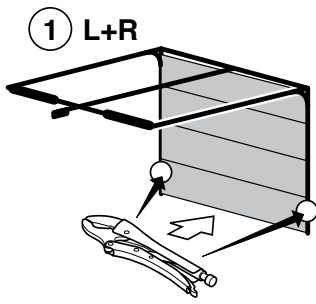
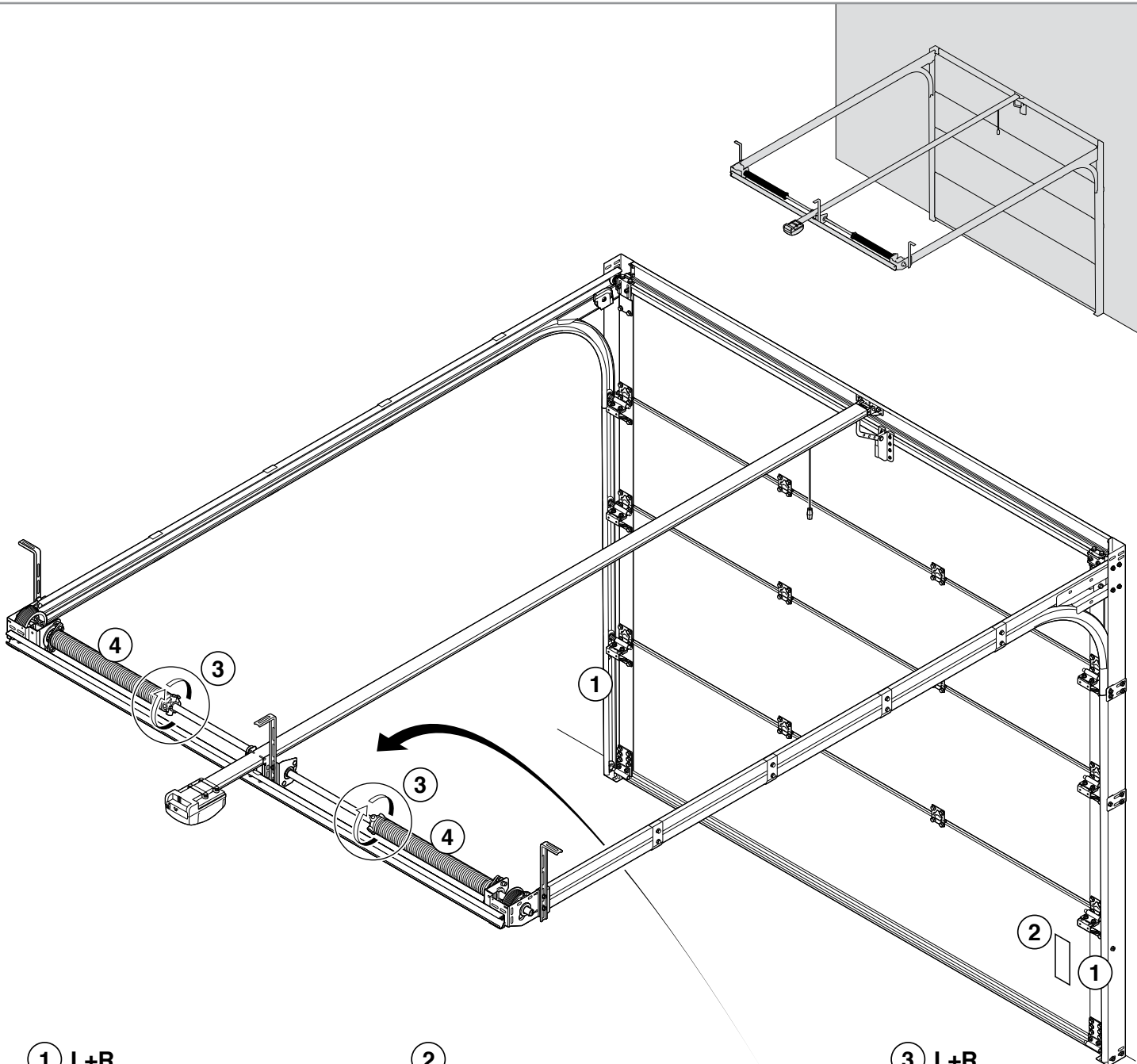


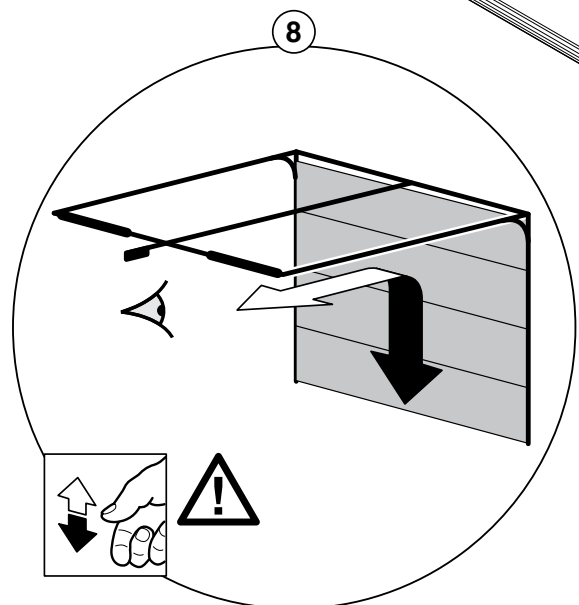
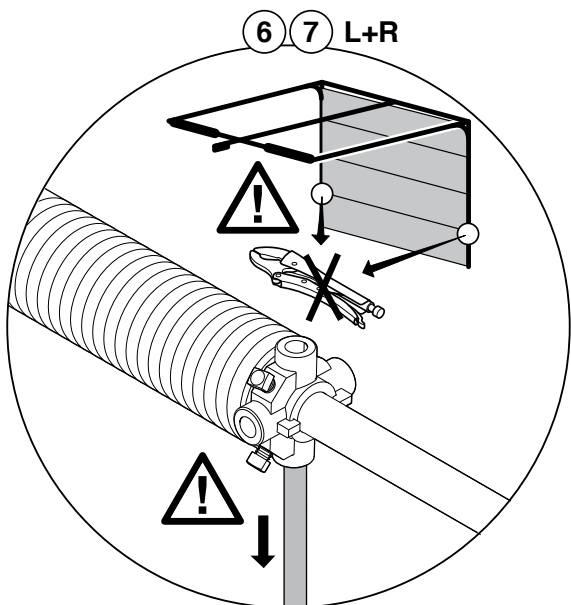
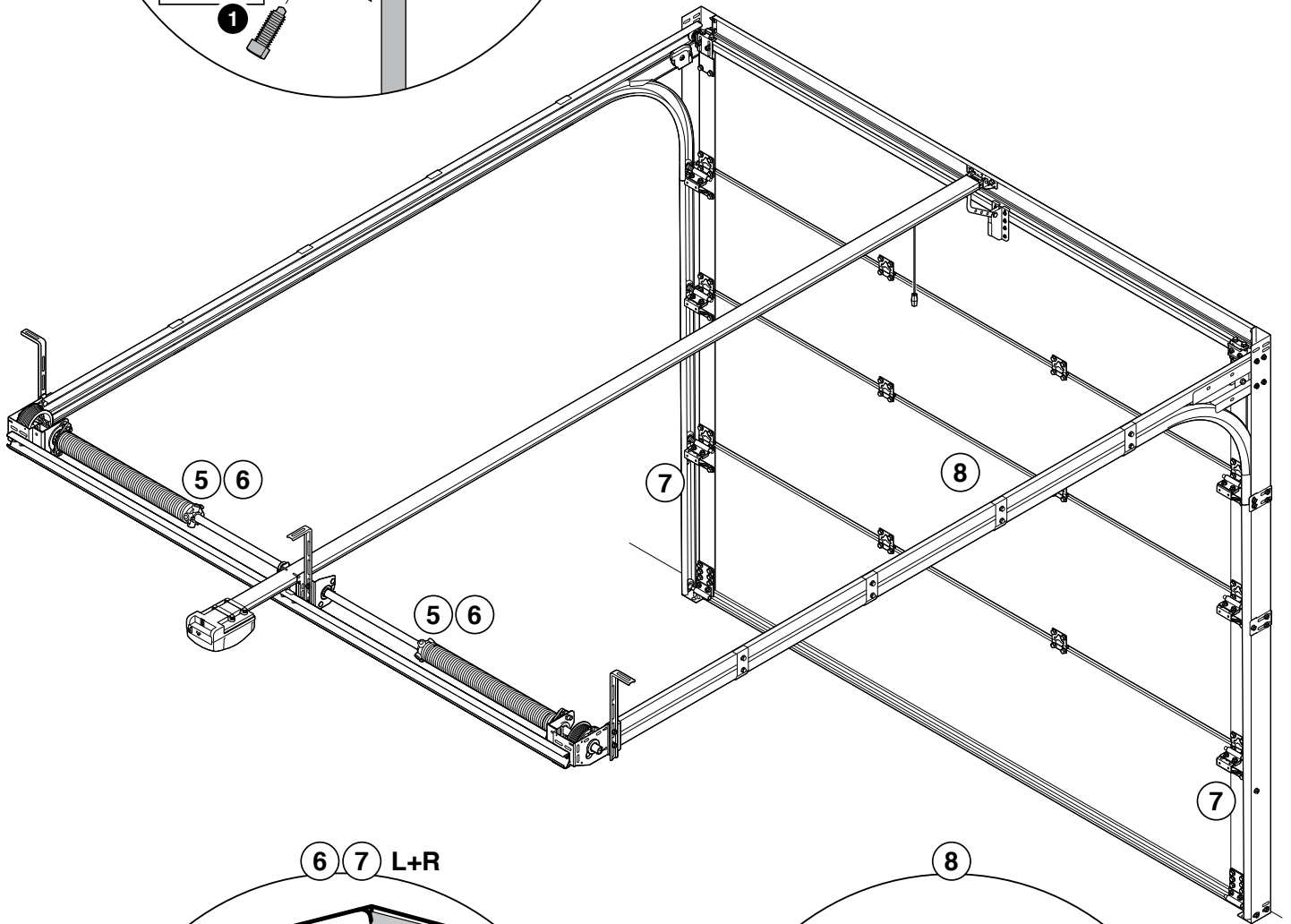
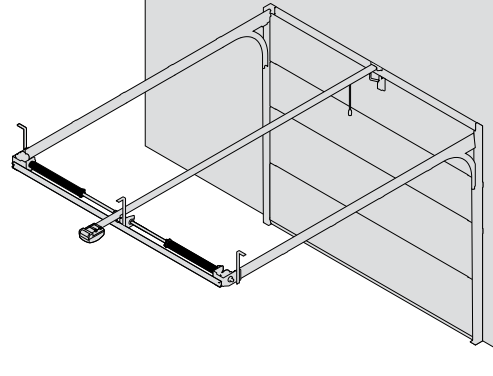
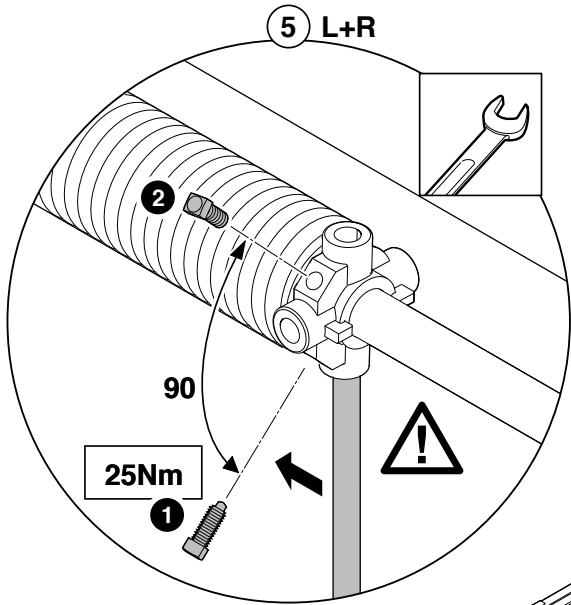


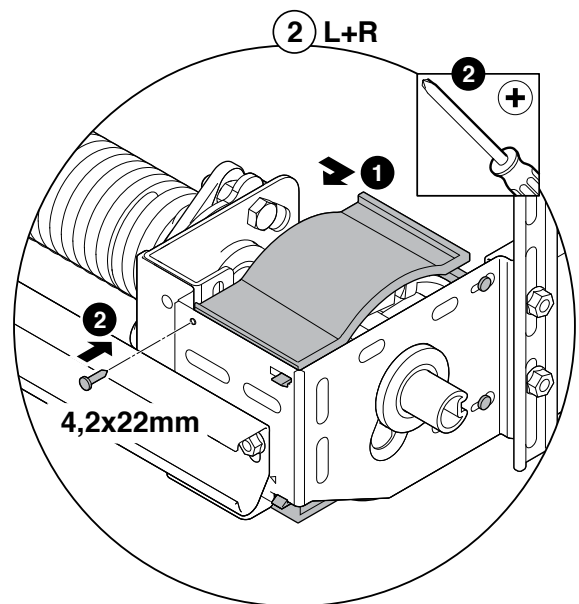
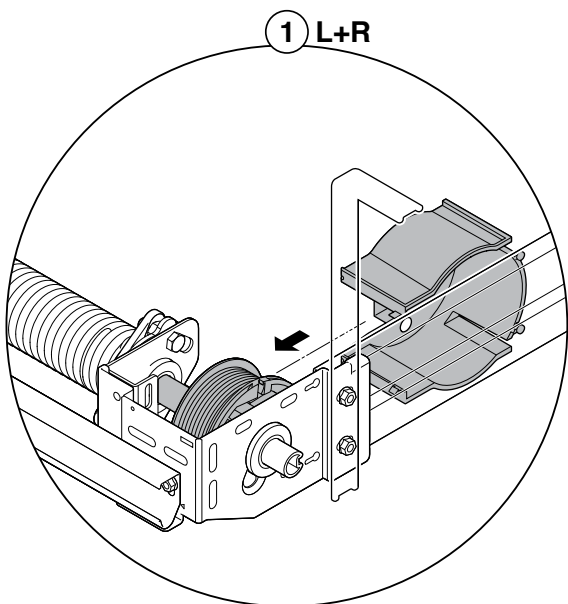
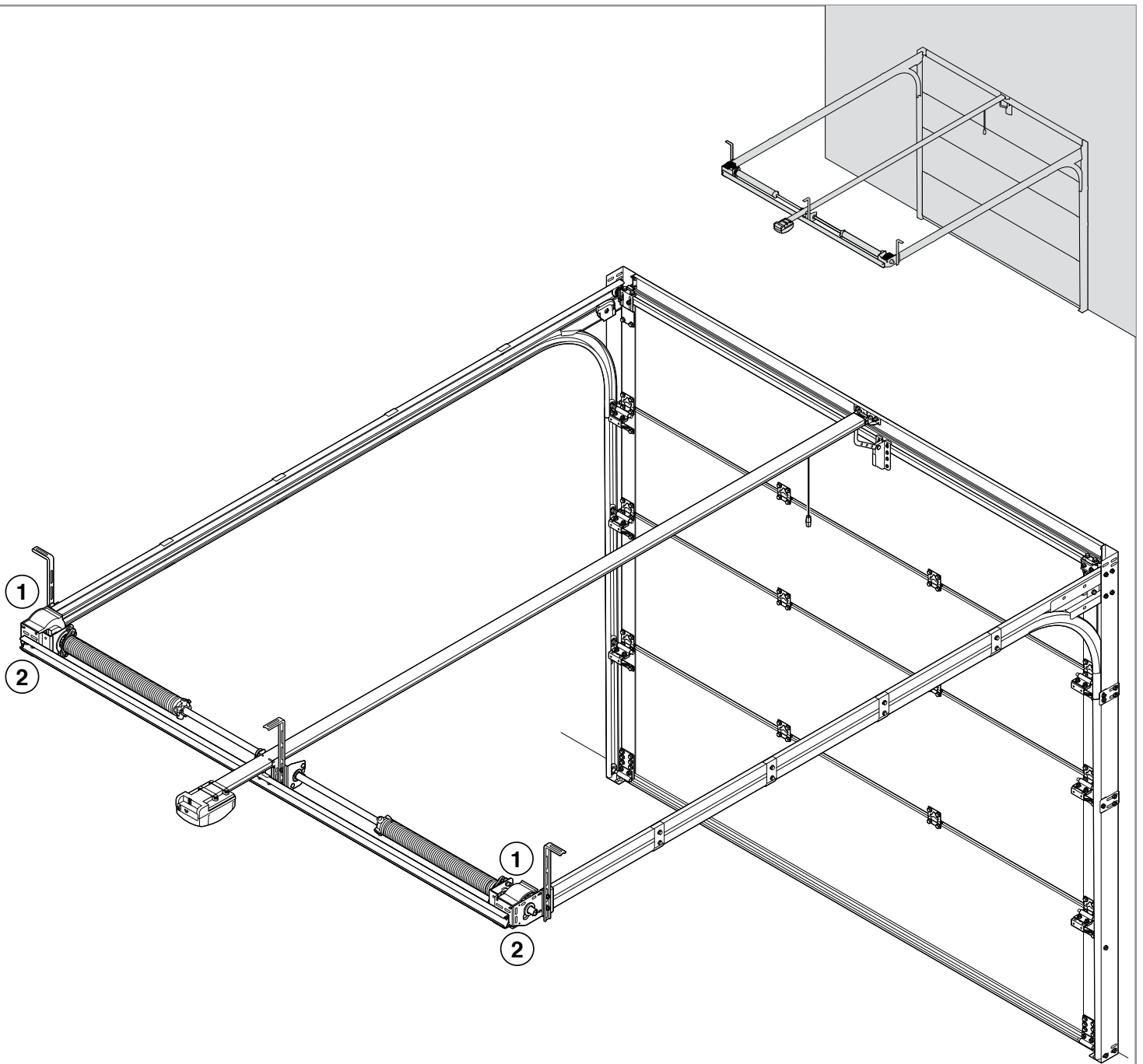


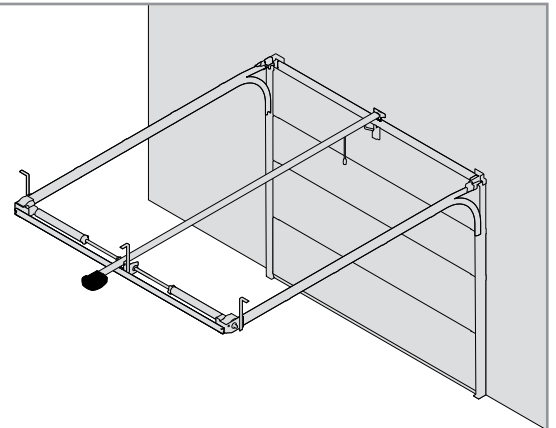
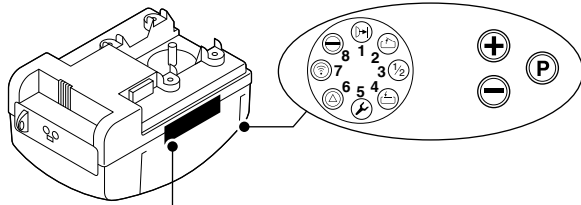






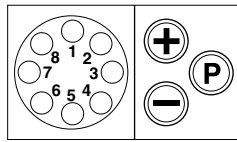
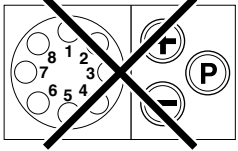




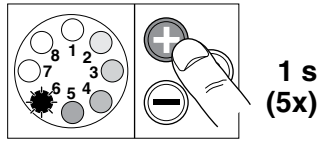
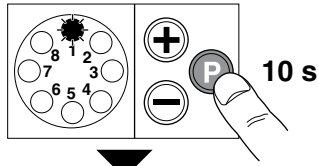


Comfort 220.2 ✓

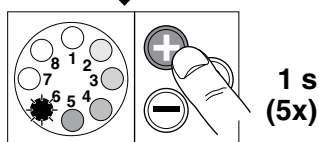
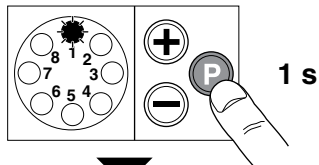
Comfort 250.2  
 Comfort 252.2  
 Comfort 250.2 speed



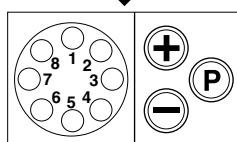
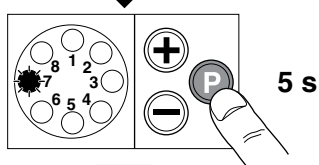
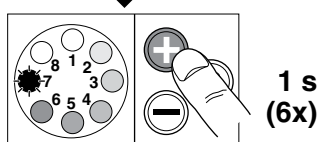
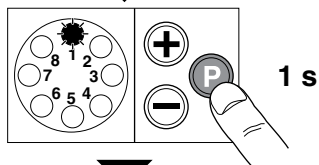
Ebene  
 Niveau  
 Niveau  
 Level



Menü  
 Menu  
 Menu  
 Menu



Stufe  
 Degré  
 Step  
 Setting



- Funktionsprüfung durchführen
- Vérification des fonctions
- Functiecontrole
- Function test

(§ 8.5 Marantec) Anleitung / Le Manuel / Manual / Handleiding

© Copyright Alpha deuren International b.v.

This manual was prepared and issued by Alpha deuren International B.V. Netherlands. It is supplied to approved agents of Alpha deuren International B.V. All rights are reserved. The information in this document is the property of Alpha deuren International B.V., the Netherlands. Disclosure of this information or any part of it to third parties is prohibited, except with prior and express written permission of Alpha deuren International B.V., the Netherlands.